

BLUE COIN ID QUUPPA

Quuppa

AOA RTLS beacon

BENEFITS

- Location high accuracy <1m
- High lifecycle: up to 5 years
- Pick to light : Integrated LED
- IP68 waterproof
- Integrated NFC chipset



TECHNICAL SPECIFICATIONS

OPERATING MODE

Frequency	2.4 GHz - Bluetooth + 2 proprietary channels (2401MHz & 2481MHz)
Output power	Up to +4 dBm (configurable)
Range	Up to 200 meters in open field (+4dBm)
Transmission period	Smart battery management: Static state : Transmit period: 1 to 10 sec, or standby Moving state : Transmit period: 0.1 to 1 sec
Radio frame format	Location packet + data packet (13 Bytes)* <i>*Refer to the frames specification for more information.</i>
Settings and configuration	Interface/protocol : NFC (Type 2)
Operating mode	Data periodic transmission by motion detection (QUUPPA protocol) Commands : - LED indicator (ON / OFF) - Battery level
Sensor performance	Location accuracy : 10 cm to 1m 3-axis accelerometer for moving event detection (battery life extension) Range: -8g to 8g Resolution: 32 mg

BATTERY

Power supply	3 VDC – Internal lithium battery
Battery life	Up to 5 years* <i>*Refer to the battery life curves for more information.</i>
Battery level	Low battery warning from 15%

CERTIFICATIONS

Europe	CE : EN 300 328/EN 300 330, EN 301 489, EN 62311, EN 62368
USA	FCC : FCC PART 15
Canada	ISED : RSS-247/ICES-003
RoHS	Yes

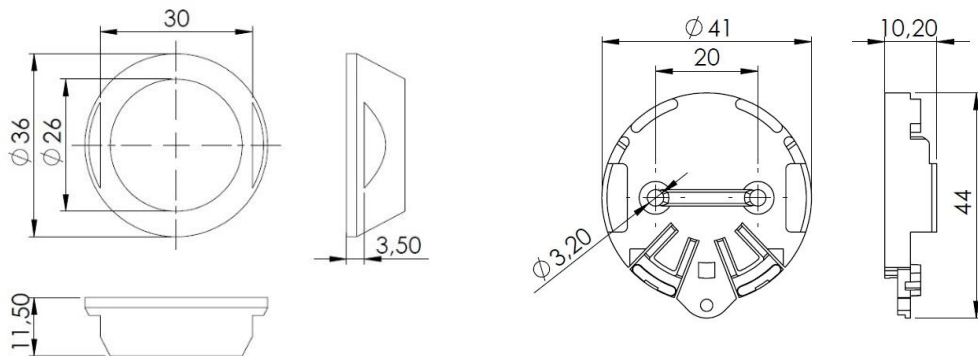
HOUSING

Dimensions	Ø 36 mm base - height: 11.5 mm
Weight	13g
Materials	DELTRIN (POM C)
Waterproof grade	IP 68
Operating temperature	-30°C to +70°C

ACCESSORIES

Tag support	COIN HOLDER STICKER (ACIOM118B) COIN HOLDER (ACIOM117B) COIN STICKER (ACIOM188) 3M PT1100 – Ø 34mm – h : 1.1mm
--------------------	---

MECHANICAL DRAWINGS



BLUE COIN ID QUUPPA

COIN HOLDER