

BLUE PUCK PIR

Bluetooth Low Energy Presence detection sensor



BENEFITS

- Integrated PIR sensor for presence detection
- High transmission range
- Waterproof (IP65)
- Smart & secure programming by NFC
- Over The Air Programming (OTAP)



TECHNICAL SPECIFICATIONS

OPERATING MODE

Frequency	2,4 GHz - Bluetooth Low Energy 4.0/4.2
Output power	Up to +4 dBm (configurable)
Range	Up to 500 meters open field (+4dBm)
Transmission period	Advertising period (0,1 sec to 10 sec – configurable in seconds)
Radio frame format	Identifier : 15 characters max (15 bytes)* Presence detection event counter d'états : total number of presence event detected (15 bits)* Presence detection instantaneous state (1 Bit) <i>*Refer to the frames specifications for more information</i>
Settings and configuration	Interface/protocole : NFC (Type 2)
Connected mode	Datalogger commands (record of saved sensor data)/ Battery level
Advertising mode	Periodic presence detection state data transmission. Immediate transmission on change of sensor state
Sensors performance	Range : 10 cm to 5 m (4 levels configuration)

BATTERY

Power supply	3 VDC - Internal lithium battery
Battery life	Up to 5 years* <i>* Refer to the battery life curves for more information</i>
Battery level	Low battery warning in advertising frames (<15%) Battery voltage in scan response frames (configurable)

CERTIFICATIONS

Europe	CE : EN 300 328/ EN 301 489 & EN 55032 / EN 62368-1
USA	FCC : FCC 15.247 / FCC PT 15B
Canada	ISED : RSS-247 / ICES-003
RoHS	Yes

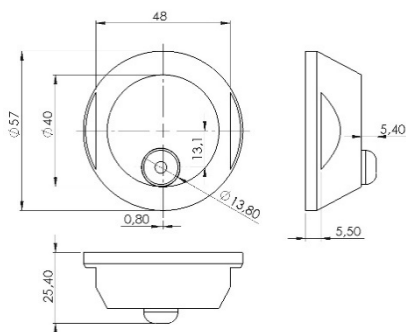
HOUSING

Dimensions	Ø 57 mm base - Height 20 mm
Weight	41g
Materials	DELIRIN (POM C) Compatible with food products (90/128/EEC)
Waterproof grade	IP 65
Operating temperature	-18°C to +32°C
Storage temperature	-18°C to +80°C

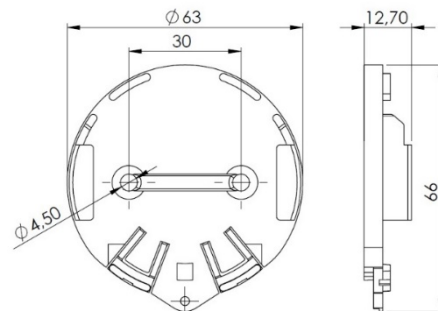
ACCESSORIES

Tag support + double-sided adhesive	PUCK HOLDER STICKER (ACIOM118B)
Tag support only	PUCK HOLDER (ACIOM117B)
Double-sided adhesive only	PUCK STICKER (ACIOM188)
	3M PT1100 - Ø 53mm – height : 1,1mm

MECHANICAL DRAWINGS



Blue PUCK PIR



PUCK HOLDER