

COIN T

Active RFID Temperature Sensor



BENEFITS

- High transmission range
- Autonomy : Up to 10 years
- Waterproof (IP68)



TECHNICAL SPECIFICATIONS

OPERATING MODE

Frequency Range	433.92 MHz Up to 60 meters open field
Transmission period	From 220 ms to 12 h configurable
Radio frame format	12b ID+12b T°C (24 bits)* 20b ID+12b T°C (32 bits)* <i>*Refer to the frames specifications for more information</i>
Settings and configuration	By tool SCIEL PROG IR and software ERW
Sensors performance	Domain : - 30 to +70 °C Resolution : 0,0625 °C Precision : ± 0.5°C maximum (-25°C to +70 °C) ± 1°C maximum (-30°C to +70°C) Calibration : Configurable 3-point calibration coefficients (Polynomial 2)

BATTERY

Power supply	3 VDC – Internal Battery CR2032
Battery life	Up to 10 ans* <i>* Refer to the battery life curves for more information</i>
Battery level	Specific code sent at the end of the battery's life: XXX7FF (XXX: ID code)

CERTIFICATIONS

Europe	EN 300 220 – 2007 : V2.1.2/ EN 301 489 – 3 : 2002 V1.4.1
USA	FCC PART 15 / FCC ID : RVVCOIN10XX
Canada	ISED : RSS-210 / IC ID: 20429 – COIN10XX
RoHs	Yes

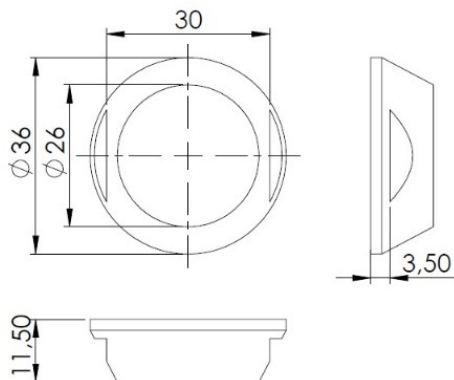
HOUSING

Dimensions	Ø 36mm base – Height : 11,50 mm
Weight	13g
Materials	DELRIN (POM C) Compatible with food products (90/128/EEC)
Waterproof grade	IP 68
Operating temperature	-30°C to +70°C

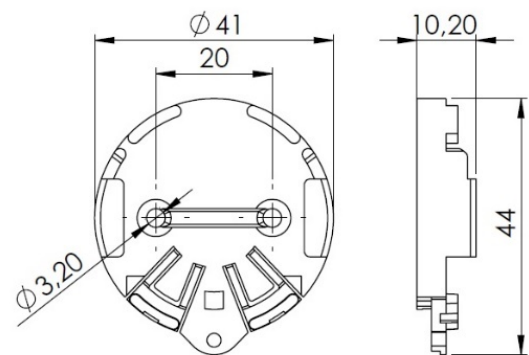
ACCESSORIES

Tag support and double-sided	COIN HOLDER STICKER (ACIOM92C)
Tag support only	COIN HOLDER (ACIOM91)
Double-sided adhesive only	COIN STICKER (ACIOM187)

MECHANICAL DRAWINGS



COIN T



COIN HOLDER