

PUCK DOT

Active RFID tag



BENEFITS

- Active RFID tag with dual-band LF and UHF
- Low-frequency detection distance from 7 to 20 meters, depending on antenna type
- Highly accurate distance detection(+/-7%)
- Battery lifecycle: up to 14 years
- IP68 Waterproof



TECHNICAL SPECIFICATIONS

OPERATING MODE

Frequency	433.92 MHz
Range	Up to 150m (open field)
Max LF reception range	6 m in open field with small ACTIVATOR antenna 15 m in open field with large ACTIVATOR antenna Setting the transmission range of the ACTIVATOR
LF reception frequency	125 KHz
Radio frame format	24 bits or 32 bits
Settings	ID Code - HF transmission cycle time - LF Activation Mode - LF Activation Mode + HF active RFID - ON / OFF LED indicating reception of LF activation signal
Configuration	By SCIEL PROG IR tool and ERW software
Compatibility	SCIEL Reader Family

BATTERY

Supply voltage	3 VDC – Internal lithium battery
Battery lifecycle	Up to 14 years* <i>*Refer to battery lifecycle curves</i>
Low battery alert	Specific ID code for low level of battery

CERTIFICATIONS

Europe	EN 300 220 V3.1.1 / EN 300 330 V2.1.1/ EN 301 489 – 3 : V2.1.1 / EN 50364 : 2017 & EN 62311 : 2008
RoHs	Yes

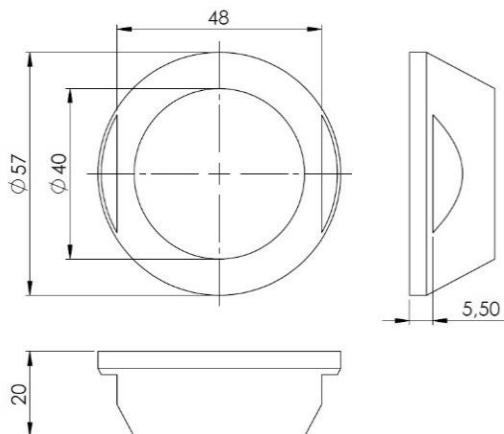
HOUSING

Dimensions	Ø 57 mm base – h : 20 mm
Weight	41g
Materials	DELTRIN (POM C) Compatible with food product (90/128/EEC)
Waterproof grade	IP 68
Operating temperature	-40°C to +85°C

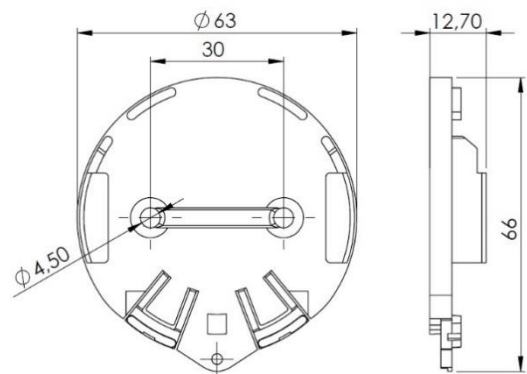
ACCESSORIES

Tag support & double sided adhesive	PUCK HOLDER STICKER (ACIOM118B)
Tag support only	PUCK HOLDER(ACIOM117B)
Double sided adhesive only	PUCK STICKER (ACIOM188)

MECHANICAL DRAWINGS



PUCK DOT



PUCK HOLDER