

PUCK ID

Active RFID tag



BENEFITS

- Configurable tag identifier (RW)
- Long range up to 100 m
- Battery lifecycle: up to 10 years
- IP68 Waterproof



TECHNICAL SPECIFICATIONS

OPERATING MODE

Frequency	433.92 MHz
Range	Up to 100m (open field)
Transmission period	From 220ms to 12 hours
Radio frame format	24 bits or 32 bits
Settings	ID Code – Emission cycle –Activation/Deactivation
Configuration	By SCIEL PROG IR tool and ERW software
Compatibility	SCIEL Reader Family

BATTERY

Supply voltage	3 VDC – Internal lithium battery
Battery lifecycle	Up to 10 years* <i>*Refer to battery lifecycle curves</i>
Low battery alert	Specific ID code for low level of battery

CERTIFICATIONS

Europe	EN 300 220 – 2012 : V2.4 .1/ EN 301 489 – 3 : 2013 V1.6.1
RoHs	Yes

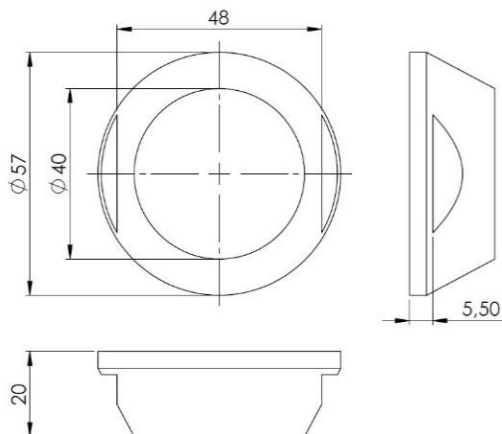
HOUSING

Dimensions	Ø 57 mm base – h : 20 mm
Weight	41g
Materials	DELTRIN (POM C) Compatible with food product (90/128/EEC)
Waterproof grade	IP 68
Operating temperature	-40°C to +85°C

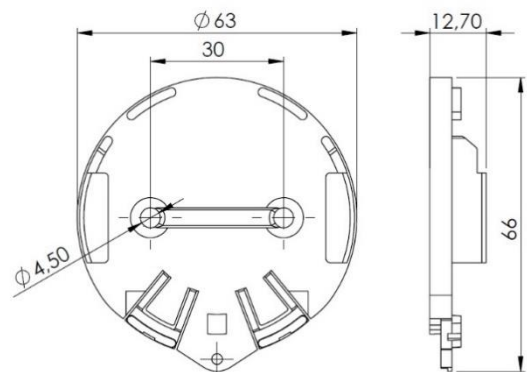
ACCESSORIES

Tag support & double sided adhesive	PUCK HOLDER STICKER (ACIOM118B)
Tag support only	PUCK HOLDER(ACIOM117B)
Double sided adhesive only	PUCK STICKER (ACIOM188)

MECHANICAL DRAWINGS



PUCK ID



PUCK HOLDER