

BLUE PUCK BUZZ QUUPPA Quuppa

AOA RTLS beacon with buzzer

BENEFITS

- Location high accuracy <1m
- Ultra compact
- High lifecycle: up to 20 years
- Pick to light : Integrated LED
- IP65 waterproof
- Integrated NFC chipset



TECHNICAL SPECIFICATIONS

OPERATING MODE

Frequency	2.4 GHz - Bluetooth + 2 proprietary channels (2401MHz & 2481MHz)
Output power	Up to +4 dBm (configurable)
Range	Up to 500 meters in open field (+4dBm)
Transmission period	Smart battery management: Static state : Transmit period: 1 to 10 sec, or standby Moving state : Transmit period: 0.1 to 1 sec
Radio frame format	Location packet + data packet (13 Bytes)* <i>*Refer to the frames specification for more information.</i>
Settings and configuration	Interface/protocol : NFC (Type 2)
Operating mode	Data periodic transmission by motion detection (QUUPPA protocol) Commands : <ul style="list-style-type: none"> - LED indicator (ON / OFF) - Buzzer (ON/OFF) - Battery level
Sensor performance	Location accuracy : 10 cm to 1m 3-axis accelerometer for moving event detection (battery life extension) Range : -8g to 8g Resolution : 32 mg

BATTERY

Power supply	3 VDC – Internal lithium battery
Battery life	Up to 20 years* <i>*Refer to the battery life curves for more information.</i>
Battery level	Low battery warning from 15%

CERTIFICATIONS

Europe	CE : EN 300 328/EN 300 330, EN 301 489, EN 62311, EN 62368
UK	UKCA
USA	FCC : FCC PART 15
Canada	ISED : RSS-247/ICES-003
RoHS	Yes
Quappa Approved	Yes

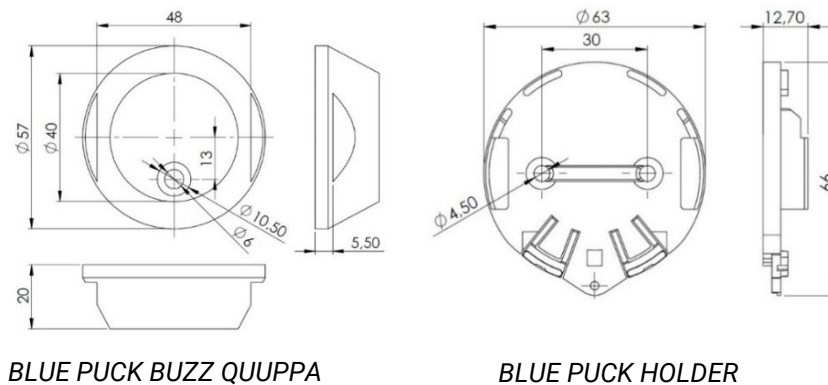
HOUSING

Dimensions	Ø 57 mm base - height: 20 mm
Weight	41g
Materials	DELIRIN (POM C)
Waterproof grade	IP 65
Operating temperature	-40°C to +85°C

ACCESSORIES

Tag support	Holder + double-sided adhesive: PUCK HOLDER STICKER (ACIOM118B)
	Holder only: PUCK HOLDER (ACIOM117B)
	Double-sided adhesive only: PUCK STICKER (ACIOM188)
	3M PT1100 - Ø 55mm – Thickness: 1,1mm

MECHANICAL DRAWINGS



AVAILABLE REFERENCES

Ref	Description
IDF25545-01A	Blue Puck BUZZ QUUPPA IP65