

Blue PUCK DI

Bluetooth Low Energy Digital Input sensor



BENEFITS

- Digital input industrial BLE transmitter
- Very high autonomy : up to 20 years
- High range transmission
- Waterproof (IP65)
- Smart & secure programming by NFC
- Over The Air Programming (OTAP)
- Dynamic Advertising period
- BAF compatible depending on configuration



TECHNICAL SPECIFICATIONS

OPERATING MODE

| | |
|-------------------------------------|---|
| Frequency | 2,4 GHz - Bluetooth Low Energy 4.0/4.2 |
| Output power | Up to +4 dBm (configurable) |
| Range | Up to 500 meters open field (+4dBm) |
| Transmission period | 2 advertising periods can be configured (value between 0,1 and 86400 seconds). Transition from one to another according to configurable sensor threshold |
| Radio frame format | ELA ID (15 bytes identifier) ELA DI (15 bytes identifier + 15 bits event counter + 1 byte current input state) <i>Other frame format available on request. Refer to the frames specifications for more information</i> |
| Parameters and configuration | Interface/protocol: NFC (Type 2) |
| Connected mode | Datalogger transmission (record of saved sensor measures) / Battery level |
| Sensors performance | Can be activated with an external simple switch Idle state: 3V High level detection: 2.1V to 3V Low level detection: 0V to 0.7V Input change detector: Immediate transmission upon change of digital input state |

BATTERY

| | |
|----------------------|---|
| Power supply | 3 VDC - Internal lithium battery |
| Battery life | Up to 20 years in high level state * Up to 12 years in low level state <i>* Refer to the battery life curves for more information</i> |
| Battery level | Low battery warning in advertising frames (<15%) |

Battery voltage in scan response frames (configurable)

CERTIFICATIONS

| | |
|------------|---|
| Europe | CE / UK CA : EN 300 328/ EN 301 489 & EN 55032 / EN 62368-1 |
| UK | UKCA |
| USA | FCC : FCC PART 15 |
| Canada | ISED : RSS-247 / ICES-003 |
| RoHs/REACH | Yes |

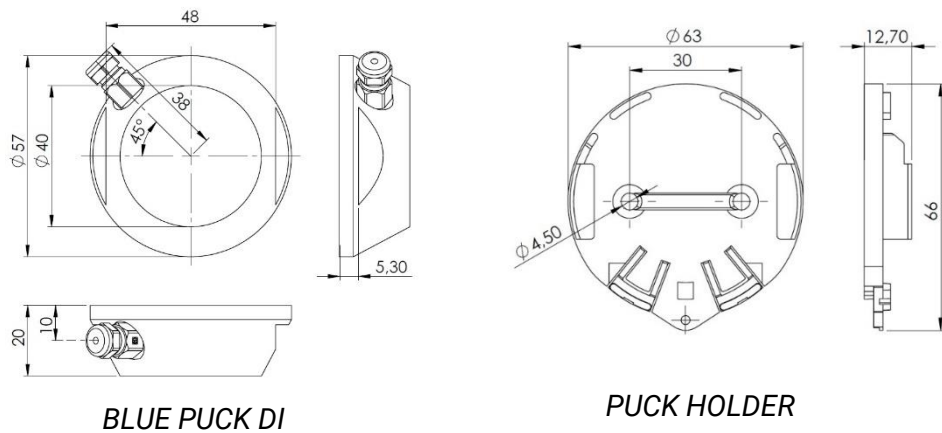
HOUSING

| | |
|-----------------------|---|
| Dimensions | Ø 57 mm base - Thickness 20 mm |
| Weight | 50g |
| Materials | DELIRIN (POM C) Compatible with food products (90/128/EEC) |
| Waterproofness | IP 65 |
| Operating temperature | -40°C to +85°C |

ACCESSORIES

| | |
|-------------|---|
| Tag support | <p>Holder + double-sided adhesive: PUCK HOLDER STICKER (ACIOM118B)</p> <p>Holder only: PUCK HOLDER (ACIOM117B)</p> <p>Double-sided adhesive only: PUCK STICKER (ACIOM188) 3M PT1100 - Ø 55mm – Thickness : 1,1mm</p> |
|-------------|---|

MECHANICAL DRAWINGS



AVAILABLE REFERENCES

| Ref | Description |
|--------------|-------------------|
| IDF25246-01A | Blue Puck DI IP65 |

| | |
|--------------|---|
| IDF25246-02A | Blue Puck DI Bluetooth advanced features ready version & IP65 |
|--------------|---|