

Blue PUCK ID+ Mesh



Industrial MESH 2.4Ghz location non-router Tag

BENEFITS

- Simple deployment, maintenance, and expansion
- Smart battery management, very high autonomy : up to 20 years
- Pick to Light : High power integrated LED
- Smart & secure programming by NFC
- Over-the-air (OTA) firmware update via network



TECHNICAL SPECIFICATIONS

OPERATING MODE

Frequency	2.4 GHz – BLE channel / Mesh network
Output power	Up to +4 dBm (Smart network)
Range	Up to 140 meters open field (+4 dBm)
Transmission period	Setting of the 2 transmission periods (Moving state and static state), 15" to 18H.
Radio frame format	Setting of the 3-byte identifier, WIREPAS Network Address and Channel. BLE Advertising Frame: Transmission Interval, Name and Power.* <i>*Refer to the frames specification for more information.</i>
Settings and configuration	Interface/protocol : NFC (Type 2) Acceleration level for inertial event wake up Network Configuration and Diagnostics: Wirepas Network Tool software
Mobile beacon mode	Periodic transmission of identifier and location data
Anchor beacon mode	Fixed point: fixed mesh network installation; data uploaded wirelessly via network
LED indicator	Controllable via network
Sensor performance	Location accuracy: 5 to 10 meters Accelerometer: Detection of inertial events (extension of battery life) Range: -8g to 8g - Configurable threshold

Specifications may be modified without any notification. Non-contractual document.

www.elainnovation.com Copyright © 2023 ELA Innovation – Product Sheet_Blue PUCK ID+ Mesh_05B

BATTERY

Power supply	3 VDC - Internal lithium battery
Battery life	Up to 20 years Battery voltage level sent via network and on MQTT Topic* <i>*Refer to the battery life curves for more information.</i>

CERTIFICATIONS

Europe	CE : EN 300 328/EN 300 330, EN 301 489, EN 62311, EN 62368
UK	UKCA
USA	FCC : FCC PART 15
Canada	ISED : RSS-247/ICES-003
Japan	TELEC
RoHS	Yes

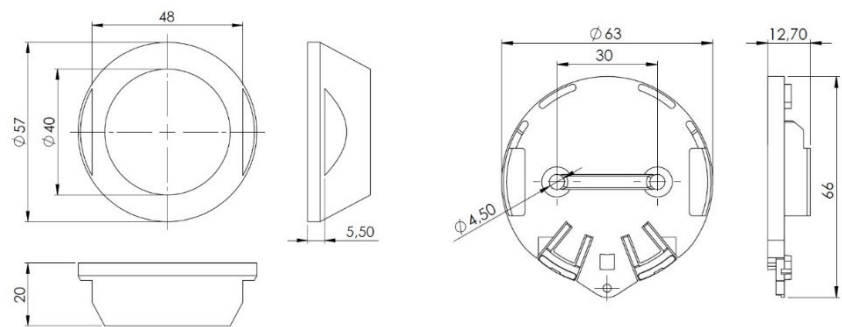
HOUSING

Dimensions	Ø 57mm base – Height : 20mm
Weight	41g
Materials	DELIRIN (POM C) Compatible with food product (90/128/EEC)
Waterproof grade	IP69K (open version excluded)
Operating temperature	-40°C to +85°C

ACCESSORIES

Tag support	PUCK HOLDER STICKER (ACIOM 118B) PUCK HOLDER (ACIOM 117B) PUCK STICKER (ACIOM 188) 3M PT1100 - Ø 53mm – Thickness: 1,1mm
--------------------	---

MECHANICAL DRAWINGS



Blue PUCK ID+ MESH

PUCK HOLDER

AVAILABLE REFERENCES

Ref	Description
IDF25453-01A	Blue Puck ID + MESH STACK WP4 compatible & IP69K
IDF25453-02A	Blue Puck ID + MESH STACK WP4 compatible OPEN version
IDF25453-03A	Blue Puck ID + MESH STACK WP5 compatible & IP69K
IDF25453-04A	Blue Puck ID + MESH STACK WP5 compatible OPEN version