

Blue PUCK MOV Mesh

Industrial MESH 2.4Ghz movement sensor



BENEFITS

- Simple deployment, maintenance, and expansion
- Motion detection or acceleration measurement
- Waterproof (IP69K)
- Smart & secure programming by NFC
- Over-the-air (OTA) firmware update via network



TECHNICAL SPECIFICATIONS

OPERATING MODE

| | |
|-----------------------------------|---|
| Frequency | 2.4 GHz – BLE channel / Mesh network |
| Output power | Up to +4 dBm (Smart network) |
| Range | Up to 140 meters open field (+4 dBm) |
| Transmission period | Transmission periods 15" to 18H. |
| Radio frame format | Setting of the 3-byte identifier, WIREPAS Network Address and Channel. |
| Settings and configuration | Interface/protocol : NFC (Type 2) Network Configuration and Diagnostics: Wirepas Network Tool software |

Autorole mode

| MOV Mode | ANG Mode |
|--|--|
| Periodic transmission of motion detection status and counter - Motion detection counter: Total number of motion events detected (32 bits) - Motion instantaneous state (1bit) | Periodic transmission of acceleration components on the 3 axis related to the tag - X-axis acceleration (mg) (2 bytes) - Y-axis acceleration (mg) (2 bytes) - Z-axis acceleration (mg) (2 bytes) |

Sensor performance

| MOV Mode | ANG Mode |
|---|--|
| Range : -8g à 8g Configurable Threshold Level : between 32 mg et 8000 mg Motion event detector: Immediate transmission upon change of motion state | Range: -2g to 2g Resolution: 1mg (LSB) Accuracy: ±0,5% Full scale |

BATTERY

| | |
|---------------------|---|
| Power supply | 3 VDC - Internal lithium battery |
| Battery life | Up to 4 years (1 minute transmission period) Battery voltage level sent via network and on MQTT Topic* <i>*Refer to the battery life curves for more information.</i> |

CERTIFICATIONS

| | |
|---------------|--|
| Europe | CE : EN 300 328/EN 300 330, EN 301 489, EN 62311, EN 62368 |
| UK | UKCA |
| USA | FCC : FCC PART 15 |
| Canada | ISED : RSS-247/ICES-003 |
| Japan | TELEC |
| RoHS | Yes |

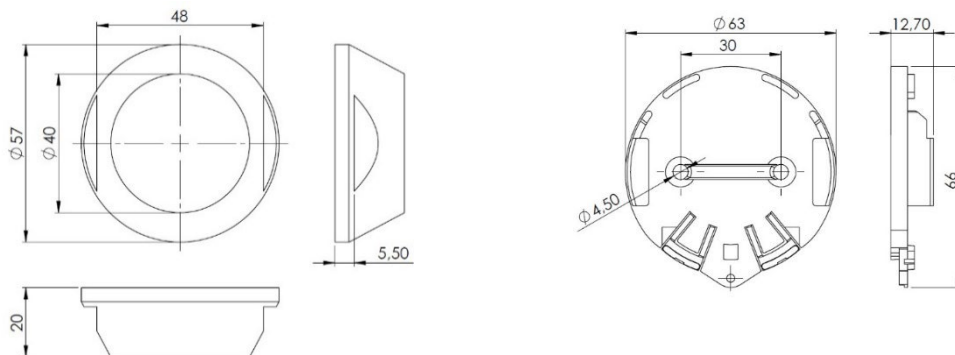
HOUSING

| | |
|------------------------------|---|
| Dimensions | Ø 57mm base – Height: 20mm |
| Weight | 41g |
| Materials | DELTRIN (POM C) Compatible with food product (90/128/EEC) |
| Waterproof grade | IP69K (Open version excluded) |
| Operating temperature | -40°C to +85°C |

ACCESSORIES

| | |
|--------------------|---|
| Tag support | PUCK HOLDER STICKER (ACIOM 118B) PUCK HOLDER (ACIOM 117B) PUCK STICKER (ACIOM 188) 3M PT1100 - Ø 53mm – Thickness: 1,1mm |
|--------------------|---|

MECHANICAL DRAWINGS



Blue PUCK MOV MESH

PUCK HOLDER

AVAILABLE REFERENCES

| Ref | Description |
|--------------|--|
| IDF25444-01A | Blue Puck MOV MESH STACK WP4 compatible & IP69K |
| IDF25444-02A | Blue Puck MOV MESH STACK WP4 compatible OPEN version |
| IDF25444-03A | Blue Puck MOV MESH STACK WP5 compatible & IP69K |
| IDF25444-04A | Blue Puck MOV MESH STACK WP5 compatible OPEN version |