

Blue PUCK PIR



Bluetooth Low Energy Presence detection sensor

BENEFITS

- Integrated PIR sensor for presence detection
- High transmission range
- Waterproof (IP65)
- Smart & secure programming by NFC
- Over The Air Programming (OTAP)
- Dynamic Advertising period
- BAF compatible depending on configuration



TECHNICAL SPECIFICATIONS

OPERATING MODE

Frequency	2,4 GHz - Bluetooth Low Energy 4.0/4.2
Output power	Up to +4 dBm (configurable)
Range	Up to 500 meters open field (+4dBm)
Transmission period	2 advertising periods can be configured (value between 0,1 and 86400 seconds). Transition from one to another according to configurable sensor threshold
Radio frame format	ELA ID (15 bytes identifier) ELA PIR (15 bytes identifier + 15 bits event counter + 1 bit sensor state) <i>Other frame format available on request. Refer to the frames specifications for more information</i>
Parameters and configuration	Interface/protocole : NFC (Type 2)
Connected mode	Datalogger commands (record of saved sensor data)/ Battery level
Sensors performance	Range : 10 cm to 5 m (4 levels configuration)

BATTERY

Power supply	3 VDC - Internal lithium battery
Battery life	Up to 6 years* <i>* Refer to the battery life curves for more information</i>
Battery level	Low battery warning in advertising frames (<15%) Battery voltage in scan response frames (configurable)

CERTIFICATIONS

Europe	CE / EN 301 489 & EN 55032 / EN 62368-1
UK	UKCA
USA	FCC : FCC 15.247 / FCC PT 15B
Canada	ISED : RSS-247 / ICES-003
RoHS/REACH	Yes

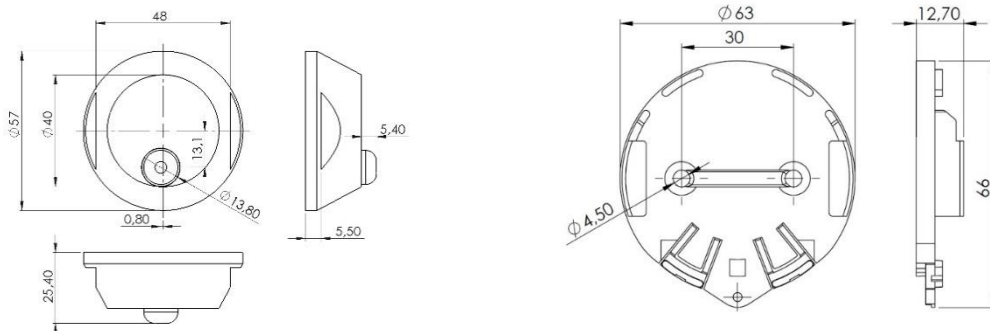
HOUSING

Dimensions	Ø 57 mm base - Thickness 20 mm
Weight	41g
Materials	DELTRIN (POM C) Compatible with food products (90/128/EEC)
Waterproofness	IP 65
Operating temperature	-18°C to +32°C
Storage temperature	-18°C to +80°C

ACCESSORIES

Tag support	<p>Holder + double-sided adhesive: PUCK HOLDER STICKER (ACIOM118B)</p> <p>Holder only: PUCK HOLDER (ACIOM117B)</p> <p>Double-sided adhesive only: PUCK STICKER (ACIOM188) 3M PT1100 - Ø 55mm – Thickness: 1,1mm</p>
-------------	--

MECHANICAL DRAWINGS



Blue PUCK PIR

PUCK HOLDER

AVAILABLE REFERENCES

Ref	Description
IDF25249-01A	Blue Puck PIR IP65
IDF25249-02A	Blue Puck PIR Bluetooth advanced features ready version & IP65