

# Blue PUCK RHT Mesh



Industrial MESH 2.4Ghz humidity & temperature sensor

## BENEFITS

- Simple deployment, maintenance, and expansion
- Waterproof (IP65)
- Smart & secure programming by NFC
- Over-the-air (OTA) firmware update via network



## TECHNICAL SPECIFICATIONS

### OPERATING MODE

<b>Frequency</b>	2.4 GHz – BLE channel / Mesh network
<b>Output power Range</b>	Up to +4 dBm (Smart network) Up to 140 meters open field (+4 dBm)
<b>Transmission period</b>	Transmission periods 15" to 18H.
<b>Radio frame format</b>	Setting of the 3-byte identifier, WIREPAS Network Address and Channel.
<b>Settings and configuration</b>	Interface/protocol : NFC (Type 2) Network Configuration and Diagnostics: Wirepas Network Tool software
<b>Autorole mode</b>	Periodic transmission of temperature and humidity measurement

### Sensor performance

	Temperature sensor	Humidity sensor
Range	-40°C to +85°C	0% to 100%
Resolution	0.01°C	0.01%
Accuracy	±0,4 °C max	±2,5 % max (0% to 90%) ±3,5 % max (90% to 100%)

### BATTERY

<b>Power supply</b>	3 VDC - Internal lithium battery
<b>Battery life</b>	Up to 4 years Battery voltage level sent via network and on MQTT Topic* <i>*Refer to the battery life curves for more information.</i>

**CERTIFICATIONS**

<b>Europe</b>	CE : EN 300 328/EN 300 330, EN 301 489, EN 62311, EN 62368
<b>UK</b>	UKCA
<b>USA</b>	FCC : FCC PART 15
<b>Canada</b>	ISED : RSS-247/ICES-003
<b>RoHS</b>	Yes

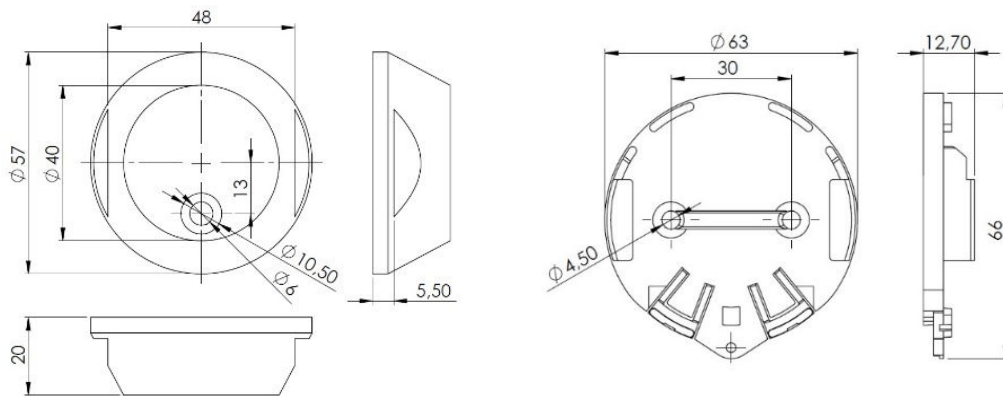
**HOUSING**

<b>Dimensions</b>	Ø 57mm base – Height: 20mm
<b>Weight</b>	41g
<b>Materials</b>	DELTRIN (POM C) Compatible with food product (90/128/EEC)
<b>Waterproof grade</b>	IP65 non-condensing (Open version excluded)
<b>Operating temperature</b>	-40°C to +85°C

**ACCESSORIES**

<b>Tag support</b>	PUCK HOLDER STICKER (ACIOM 118B) PUCK HOLDER (ACIOM 117B) PUCK STICKER (ACIOM 188) 3M PT1100 - Ø 53mm – Thickness: 1,1mm
--------------------	---

**MECHANICAL DRAWINGS**



Blue PUCK RHT MESH

PUCK HOLDER

**AVAILABLE REFERENCES**

Ref	Description
IDF25442-01A	Blue Puck RHT MESH STACK WP4 compatible & IP65
IDF25442-02A	Blue Puck RHT MESH STACK WP4 compatible OPEN version
IDF25442-03A	Blue Puck RHT MESH STACK WP5 compatible & IP65
IDF25442-04A	Blue Puck RHT MESH STACK WP5 compatible OPEN version