

Blue PUCK T Mesh

Industrial Mesh 2.4Ghz temperature sensor



BENEFITS

- Simple deployment, maintenance, and expansion
- Smart & secure programming by NFC
- Waterproof (IP69K)
- Over-the-air (OTA) firmware update via network



TECHNICAL SPECIFICATIONS

OPERATING MODE

Frequency	2.4 GHz – BLE channel / Mesh network
Output power Range	Up to +4 dBm (Smart network) Up to 140 meters open field (+4 dBm)
Transmission period	Transmission periods 15" to 18H.
Radio frame format	Setting of the 3-byte identifier, address and WIREPAS network channel. BLE Advertising Frame: Transmission Interval, Name and Power.* <i>*Refer to the frames specification for more information.</i>
Settings and configuration	Interface/protocol : NFC (Type 2) Acceleration level for inertial event wake up Network Configuration and Diagnostics: Wirepas Network Tool software
Autorole mode	Periodic transmission of temperature measurement
Sensor performance	Range: -40 to 85 °C Resolution: 0,0625 °C Accuracy: ±0.5°C maximum (0°C to 65 °C) ±1°C maximum (-40°C to 0°C & 65°C to 85°C)

BATTERY

Power supply	3 VDC - Internal lithium battery
Battery life	Up to 4 years Battery voltage level sent via network and on MQTT Topic* <i>*Refer to the battery life curves for more information.</i>

CERTIFICATIONS

Europe	CE : EN 300 328/EN 300 330, EN 301 489, EN 62311, EN 62368
UK	UKCA
USA	FCC : FCC PART 15
Canada	ISED : RSS-247/ICES-003
Japan	TELEC
RoHS	Yes

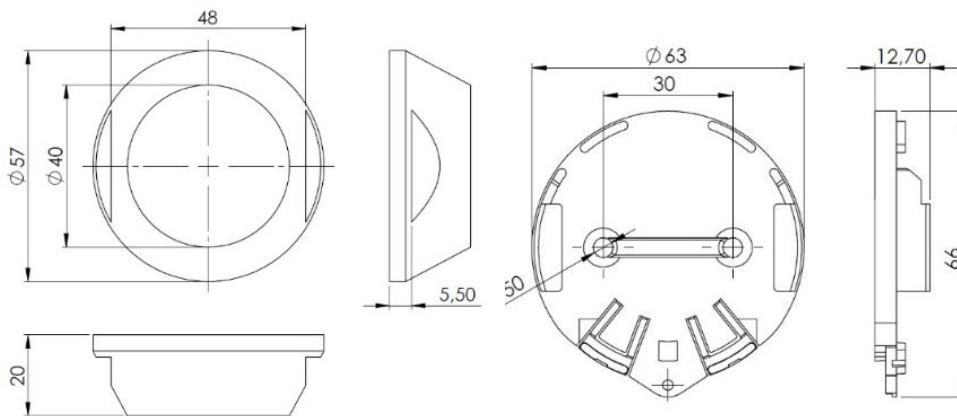
HOUSING

Dimensions	Ø 57mm base – Height : 20mm
Weight	41g
Materials	DELTRIN (POM C) Compatible with food product (90/128/EEC)
Waterproof grade	IP69K (Open version excluded)
Operating temperature	-40°C to +85°C

ACCESSORIES

Tag support	PUCK HOLDER STICKER (ACIOM 118B) PUCK HOLDER (ACIOM 117B) PUCK STICKER (ACIOM 188) 3M PT1100 - Ø 53mm – Thickness: 1,1mm
--------------------	---

MECHANICAL DRAWINGS



Blue PUCK T MESH

PUCK HOLDER

AVAILABLE REFERENCES

Ref	Description
IDF25441-01A	Blue Puck T MESH STACK WP4 compatible & IP69K
IDF25441-02A	Blue Puck T MESH STACK WP4 compatible OPEN version
IDF25441-03A	Blue Puck T MESH STACK WP5 compatible & IP69K
IDF25441-04A	Blue Puck T MESH STACK WP5 compatible OPEN version