

# Blue SLIM ID QUUPPA

## AOA RTLS beacon

Quuppa



### BENEFITS

- Location high accuracy <1m
- Ultra thin
- High lifecycle: up to 2 years
- High adhesive back side
- Integrated NFC chipset



## TECHNICAL SPECIFICATIONS

### OPERATING MODE

<b>Frequency</b>	2.4 GHz - Bluetooth + 2 proprietary channels (2401MHz & 2481MHz)
<b>Output power</b>	Up to +4 dBm (configurable)
<b>Range</b>	Up to 300 meters in open field (+4dBm)
<b>Transmission period</b>	<b>Smart battery management:</b> Static state : Transmit period: 1 to 10 sec, or standby Moving state : Transmit period: 0.1 to 1 sec
<b>Radio frame format</b>	Location packet + data packet (13 Bytes)* <i>*Refer to the frames specification for more information.</i>
<b>Settings and configuration</b>	Interface/protocol : NFC (Type 2)
<b>Operating mode</b>	Data periodic transmission by motion detection (QUUPPA protocol)
<b>Sensor performance</b>	<b>Location accuracy</b> : 10 cm to 1m 3-axis accelerometer for moving event detection (battery life extension) <b>Range:</b> -8g to 8g <b>Resolution:</b> 32 mg

### BATTERY

<b>Power supply</b>	3 VDC – Internal lithium battery
<b>Battery life</b>	Up to 2 years* <i>*Refer to the battery life curves for more information.</i>
<b>Battery level</b>	Low battery warning from 15%

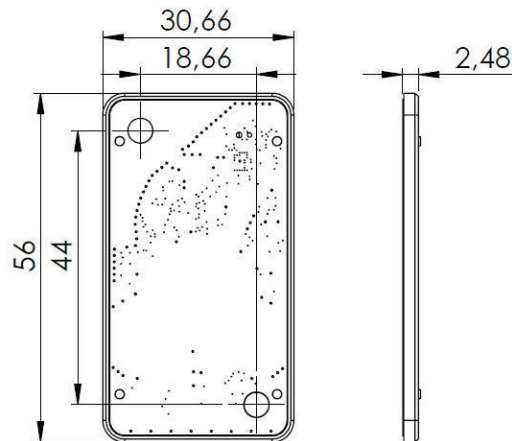
**CERTIFICATIONS**

<b>Europe</b>	CE : EN 300 328/EN 300 330, EN 301 489, EN 62311, EN 62368
<b>UK</b>	UKCA
<b>USA</b>	FCC : FCC PART 15
<b>Canada</b>	ISED : RSS-247/ICES-003
<b>RoHS</b>	Yes
<b>Quuppa Approved</b>	Yes

**HOUSING**

<b>Dimensions</b>	56x30,66x2,48mm- 2 Ø4mm holes for mounting
<b>Weight</b>	6g
<b>Materials</b>	Black ABS – High adhesive back side
<b>Operating temperature</b>	-20°C to +55°C

**MECHANICAL DRAWINGS**



**AVAILABLE REFERENCES**

Ref	Description
IDF03540-01A	Blue SLIM ID QUUPPA