

BLUE PUCK ID

Industrial Bluetooth Low Energy beacon

BENEFITS

- Very high autonomy : up to 20 years
- Pick-to-light : integrated high power LED
- High transmission range
- Waterproof (IP68)
- Smart & secure programming by NFC
- Over The Air Programming (OTAP)
- Dynamic Advertising period



Eddystone



TECHNICAL SPECIFICATIONS

OPERATING MODE

Frequency	2,4 GHz - Bluetooth Low Energy 4.0/4.2
Output power	Up to +4 dBm (configurable)
Range	Up to 500 meters in open field (+4dBm)
Transmission period	2 advertising periods can be configured (value between 0,1 and 86400 seconds). Transition from one to another according to configurable sensor threshold
Radio frame format	ELA ID (15 bytes identifier) iBeacon Eddystone <i>Other frame format available on request. Refer to the frames specifications for more information</i>
Parameters and configuration	Interface/protocol NFC (Type 2)
Connected mode	LED indicator (ON/OFF) command / Battery level

BATTERY

Power supply	3 VDC - Internal lithium battery
Battery life	ID (ELA), iBeacon, Eddystone : up to 20 years* <i>* Refer to the battery life curves for more information.</i>
Battery level	Low battery warning in advertising frames (<15%) Battery voltage in scan response frames (configurable)

CERTIFICATIONS

Europe	CE / UK CA : EN 300 328/ EN 301 489 & EN 55032 / EN 62368-1
USA	FCC : FCC PART 15
Canada	ISED : RSS-247 / ICES-003
RoHs/REACH	Yes

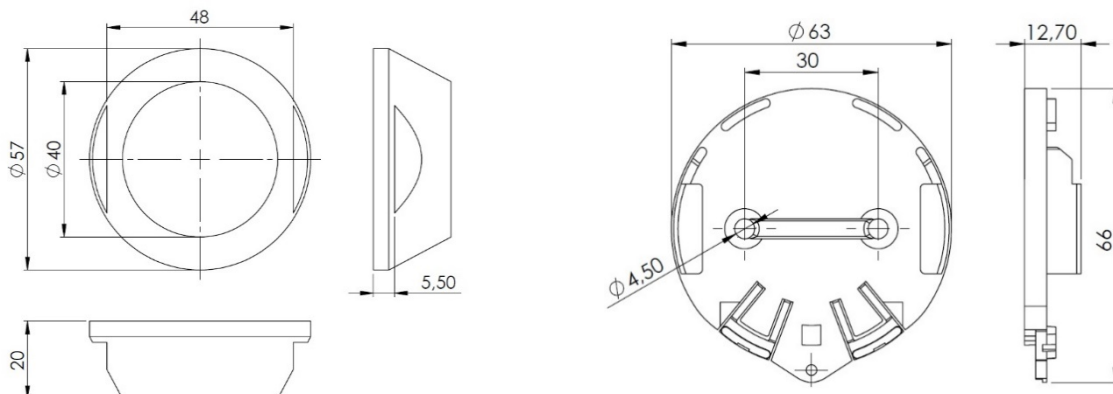
HOUSING

Dimensions	Ø 57 mm base – Thickness : 20 mm
Weight	41g
Materials	DELRIN (POM C) Compatible with food products (90/128/EEC)
Waterproofness	IP 68
Operating temperature	-40°C to +85°C

ACCESSORIES

Tag support	<p>Holder + double-sided adhesive: PUCK HOLDER STICKER (ACIOM118B)</p> <p>Holder only: PUCK HOLDER (ACIOM117B)</p> <p>Double-sided adhesive only: PUCK STICKER (ACIOM188)</p> <p>3M PT1100 - Ø 55mm – Thickness: 1,1mm</p>
--------------------	---

MECHANICAL DRAWINGS



Blue PUCK ID

PUCK HOLDER