

Blue PUCK PIR Mesh

Industrial MESH 2.4 Ghz Presence detection sensor

BENEFITS

- Integrated PIR sensor for presence detection
- High transmission range
- Waterproof (IP65)
- Smart & secure programming by NFC
- Over The Air Programming (OTAP)



TECHNICAL SPECIFICATIONS

OPERATING MODE

Frequency	2.4 GHz – BLE channel / Mesh network
Output power Range	Up to +4 dBm (Smart Network) Up to 140 meters open field (+4dBm)
Transmission period	Transmission periods 15" to 18H.
Radio frame format	Setting of the 3-byte identifier, WIREPAS Network Address and Channel.
Settings and configuration	Interface/protocole : NFC (Type 2) Network Configuration and Diagnostics: Wirepas Network Tool software
Autorole mode	Periodic presence detection state data transmission. Immediate transmission on change of sensor state
Sensors performance	Range: 10 cm to 5 m (4 levels configuration)

BATTERY

Power supply	3 VDC - Internal lithium battery
Battery life	Up to 3 years Battery voltage level sent via network and on MQTT Topic* <i>*Refer to the battery life curves for more information</i>

CERTIFICATIONS

Europe	CE / EN 300 328/ EN 301 489 & EN 55032 / EN 62368-1
UK	UKCA
USA	FCC : FCC 15.247 / FCC PT 15B
Canada	ISED : RSS-247 / ICES-003
RoHS/REACH	Yes

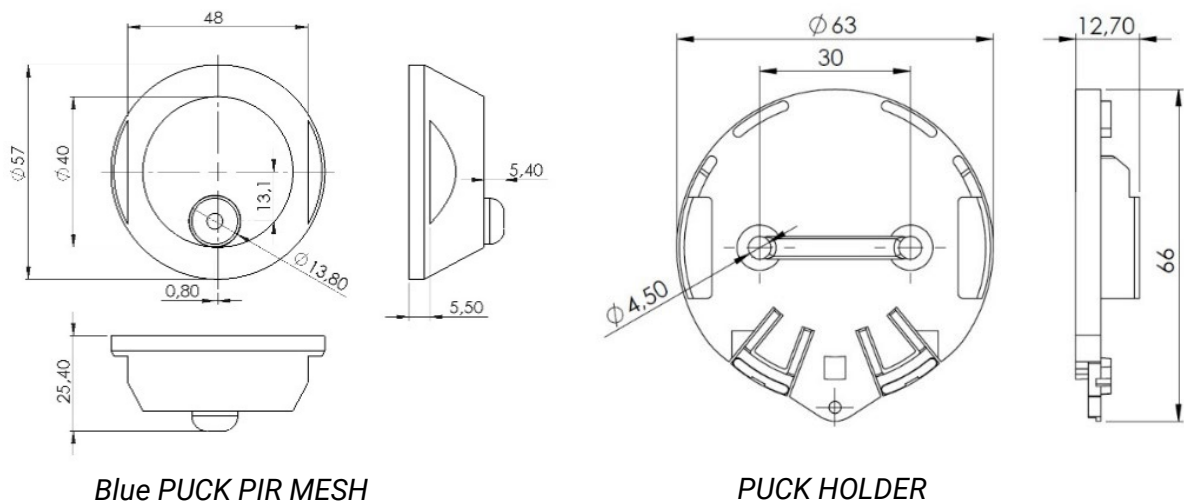
HOUSING

Dimensions	Ø 57 mm base - Height 20 mm
Weight	41g
Materials	DELTRIN (POM C) Compatible with food products (90/128/EEC)
Waterproof grade	IP 65 (OPEN versions excluded)
Operating temperature	-18°C to +32°C
Storage temperature	-18°C to +80°C

ACCESSORIES

Tag support	Holder + double-sided adhesive:
	PUCK HOLDER STICKER (ACIOM118B)
	Holder only:
	PUCK HOLDER (ACIOM117B)
	Double-sided adhesive only:
	PUCK STICKER (ACIOM188)
	3M PT1100 - Ø 55mm – Thickness: 1,1mm

MECHANICAL DRAWINGS



AVAILABLE REFERENCES

Ref	Description
IDF25449-01A	Blue Puck PIR MESH STACK WP4 compatible & IP65
IDF25449-02A	Blue Puck PIR MESH STACK WP4 compatible OPEN version
IDF25449-03A	Blue Puck PIR MESH STACK WP5 compatible & IP65
IDF25449-04A	Blue Puck PIR MESH STACK WP5 compatible OPEN version