

BLUE PUCK RHT



Bluetooth Low Energy Humidity & Temperature sensor

BENEFITS

- Very high autonomy : up to 18 years
- High transmission range
- Waterproof (IP65)
- Smart & secure programming by NFC
- Over The Air Programming (OTAP)
- Dynamic Advertising period



TECHNICAL SPECIFICATIONS

OPERATING MODE

Frequency 2,4 GHz - Bluetooth Low Energy 4.0/4.2
Output power Up to +4 dBm (configurable)
Range Up to 500 meters open field (+4dBm)

Transmission period 2 advertising periods can be configured (value between 0,1 and 86400 seconds). Transition from one to another according to configurable sensor threshold

Radio frame format **ELA ID** (15 bytes identifier)
ELA RHT (15 bytes identifier + 2 bytes Temperature (in 0.01°C)+1 byte Relative Humidity (%))

Other frame format available on request. Refer to the frames specifications for more informations

Parameters and configuration Interface/protocol: NFC (Type 2)

Connected mode Datalogger transmission (record of saved sensor data)
 Battery level command

Sensors performance

	Temperature	Humidity (non-condensing)
Range	-40 to 85 °C	0% to 100%
Resolution	0.01 °C	0.01 %
Accuracy	±0,4 °C maximum	±2,5 % max (0% to 90%) ±3,5 % max (90% to 100%)

BATTERY

Power supply	3 VDC - Internal lithium battery
Battery life	Up to 18 years* <i>* Refer to the battery life curves for more information</i>
Battery level	Low battery warning in advertising frames (<15%) Battery voltage in scan response frames (configurable)

CERTIFICATIONS

Europe	CE / UK CA : EN 300 328/ EN 301 489 & EN 55032 / EN 62368-1
USA	FCC : FCC 15
Canada	ISED : RSS-247 / ICES-003
RoHS/REACH	Yes

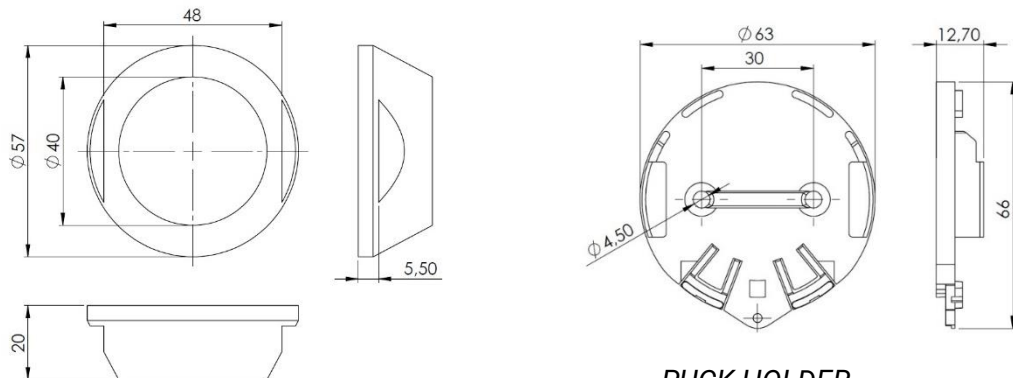
HOUSING

Dimensions	Ø 57 mm base - Thickness 20 mm
Weight	41g
Materials	DELTRIN (POM C) Compatible with food products (90/128/EEC)
Waterproofness	IP 65 (non-condensing)
Operating temperature	-40°C to +85°C

ACCESSORIES

Tag support	Holder + double-sided adhesive: PUCK HOLDER STICKER (ACIOM118B) Holder only: PUCK HOLDER (ACIOM117B) Double-sided adhesive only: PUCK STICKER (ACIOM188) 3M PT1100 - Ø 55mm – Thickness: 1,1mm
--------------------	---

MECHANICAL DRAWINGS



BLUE PUCK RHT

PUCK HOLDER