



Blue LITE TOUCH

Bluetooth Low Energy Beacon with ON/OFF switch

BENEFITS

- Ultra-compact
- High autonomy : up to 5 years
- Replaceable battery
- Pick to light : integrated high power LED
- Smart & secure programming by NFC
- Over The Air Programming (OTAP)
- Dynamic Advertising period
- BAF compatible depending on configuration



TECHNICAL SPECIFICATIONS

OPERATING MODE

Frequency	2.4 GHz - Bluetooth Low Energy 4.2
Output power	Up to +4 dBm (configurable)
Range	Up to 300 meters in open field (+4dBm)
Transmission period	2 advertising periods can be configured (value between 0,1 and 86400 seconds). Transition from one to another according to configurable push button
Radio frame format	ELA ID (15 bytes identifier) iBeacon Eddystone <i>Other frame format available on request. Refer to the frames specifications for more information</i>
Parameters and configuration	Interface/protocol : NFC (Type 2)
Connected mode	LED indicator (ON / OFF) command / Battery level

BATTERY

Power supply	3 VDC – replaceable CR2032 battery
Battery life	ID (ELA): 5 years iBeacon (Apple): 5 years Eddystone (Google): 5 years* <i>*Refer to the battery life curves for more information.</i>
Battery level	Low battery warning in advertising frames (<15%) Battery voltage in scan response frames (configurable)

CERTIFICATIONS

Europe	CE / EN 300 330, EN 301 489, EN 62311, EN 62368
UK	UKCA
USA	FCC : FCC PART 15 / RoHS
Canada	ISED : RSS-247/ICES-003 / RoHS
RoHs/REACH	Yes

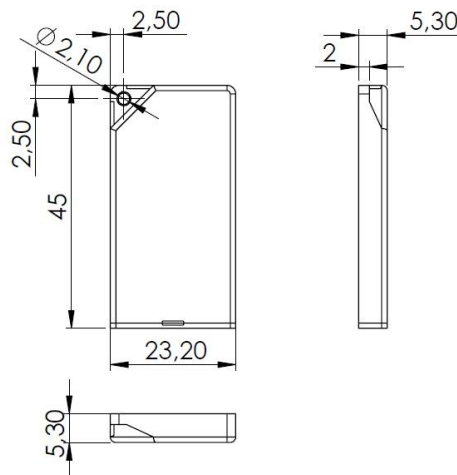
HOUSING

Dimensions	45mm length, 23.2mm width, 5.3mm height 1 hole for M2 fixing
Weight	8g
Materials	Casing: ABS Seal: TPE
Waterproofness	IP 65
Operating temperature	-30°C to +70°C

ACCESSORIES

LITE STICKER (ACIOM204)
Thickness: 0,3mm

MECHANICAL DRAWINGS



AVAILABLE REFERENCES

Ref	Description
IDF28255-01A	Blue Lite TOUCH Bluetooth advanced features ready version & IP65